

LUKAS II



**User's manual
ENGLISH**

**Handleiding
NEDERLANDS**

Streamit kerkradio brengt de kerk bij de mensen thuis



STREAMIT
IP Media Devices

Understanding of Instructions



WARNING: These are instructions which can cause harm to people or damage to the device if not followed properly. It is important to read and follow these instructions carefully.



IMPORTANT: These instructions are important in order to understand the correct behavior of the device.

Notices about trademarks

- Lukas is a registered trademark of Streamit.
- Streamit is a registered trademark.
- All other tradenames which are used in this users guide, are owned by their respective owners.

Copyright ©2009 Streamit

All rights reserved. Under the copyright laws, this manual cannot be reproduced in any form without the written permission of Streamit. No patent liability is assumed, with respect to the use of the information contained herein.

Disclaimer

This manual has been validated and reviewed for accuracy. The instructions and descriptions it contains are accurate for the Lukas internet radios at the time of this manual's production. However, succeeding Lukas internet radios and manuals are subject to change without notice. Streamit assumes no liability for damages incurred directly or indirectly from errors, omissions or discrepancies between the internet radio and the manual.

EU Declaration of Conformity



This product carries the CE-Mark in accordance with the related European Directives. CE marking is the responsibility of Streamit B.V., Verdunplein 10, 5627 SZ Eindhoven, The Netherlands.



This is a class A product. In a domestic environment this product may cause radio interference in which case the user may be required to take adequate measures.

FCC Compliance Statement



NOTE: This device complies with Part 15 of the FCC limits for Class B digital devices FOR HOME OR OFFICE USE ("home or office" interference requirements are more stringent than "outdoor" requirements). Operation of this device is subject to the following conditions: (1) This device may not cause harmful interference, and (2) this device must accept any interference received, including interference that may cause undesired operation.

The Streamit Internet Radio device does not contain any user-serviceable parts. Repairs should be made only by an authorized Streamit service center. Unauthorized repairs or modifications could result in permanent damage to the equipment, and void your warranty and your authority to operate the device under Part 15 regulations.

Contents

1	GETTING STARTED	4
1.1	FIRST AND FOREMOST	4
1.2	LUKAS SUPPORT	4
1.3	UNPACKING YOUR DEVICE	4
1.4	REFERENCES	FOUT! BLADWIJZER NIET GEDEFINIEERD.
1.5	FRONT VIEW	5
1.6	REAR VIEW	6
1.7	REMOTE CONTROL	6
2	INSTALLATION	7
2.1	PREPARING THE LUKAS	7
2.2	CONNECTING YOUR LUKAS	7
2.2.1	Connecting the Lukas with the telephone line	7
2.2.2	Connecting the Lukas on ethernet network	7
2.2.3	Connecting the Power supply	7
2.3	CONFIGURING YOUR LUKAS FOR THE FIRST TIME	8
3	LUKAS CONFIGURATION – SETUP MENU	10
3.1	CHANGING THE MENU LANGUAGE SETTING	10
3.2	CHANGING THE LUKASMODE SETTING	10
3.3	CHANGING THE COUNTRY SETTING	11
3.4	CHANGING THE PREDIAL '0' SETTING	11
3.5	CHANGING THE E POWER OFF SETTING	12
3.6	CHANGING THE PROVIDER SETTING	12
3.7	CHANGING THE REMOTE CONTROL SETTING	13
4	SERVICE MENU	14
5	USING THE LUKAS	16
5.1	SETTING UP THE FIRST CONNECTION	16
5.2	CHOOSING ANOTHER CHANNEL	16
5.3	POWERING OFF THE DEVICE	16
5.4	ADJUSTING THE VOLUME	16
5.5	USING A HEADPHONE	16

ENGLISH

1 Getting Started

1.1 First and foremost...

thank you for purchasing the Lukas II internet radio device.

The Lukas is a fully autonomous working receiver that makes it possible to listen to broadcasts of radio broadcasters, music distributors, churches and much more. The Lukas is suitable for connecting to a phone line as well as to an ethernet network.

The Lukas can be used with a number of preconfigured providers. However, you also configure the device yourself with the Streamit Terminal Program (STP), a user friendly software application for Windows PC. This program can be downloaded from our website free of charge. Uniquely the Lukas can identify itself, so the user is able to participate in authorized broadcastings.

For more information on the Streamit products and solutions, we invite you to visit our website <http://www.streamit.eu>.

Finally, we wish you a lot of pleasure using your Lukas device...

Streamit B.V.

1.2 Lukas support

With this manual we have tried to clearly describe the operation your Lukas. But we can imagine you have a question or came across an issue which is not covered in this manual. In such case, you are welcome to visit our website (<http://streamit.eu>) where you will find up-to-date documentation and the latest software release(s).

When you have purchased your Lukas from one of our local dealers, we recommend you contact your dealer first.

1.3 Unpacking your device

Carefully take out of the package the device and the supplied materials. Make sure that all of the following components are included:

- ✓ Lukas II internet radio device
- ✓ Remote control
- ✓ 9V-800mA or 9V-400mA power supply
- ✓ 3M RJ 45 ethernet cable
- ✓ 3M RJ11 telephone line cable
- ✓ Telephone connector (not in all versions)

The CR2025 Lithium battery is already in the remote control. Before you can start to use the remote control, the paper-thin plastic separator must be removed (pulled out).

1.4 Front View

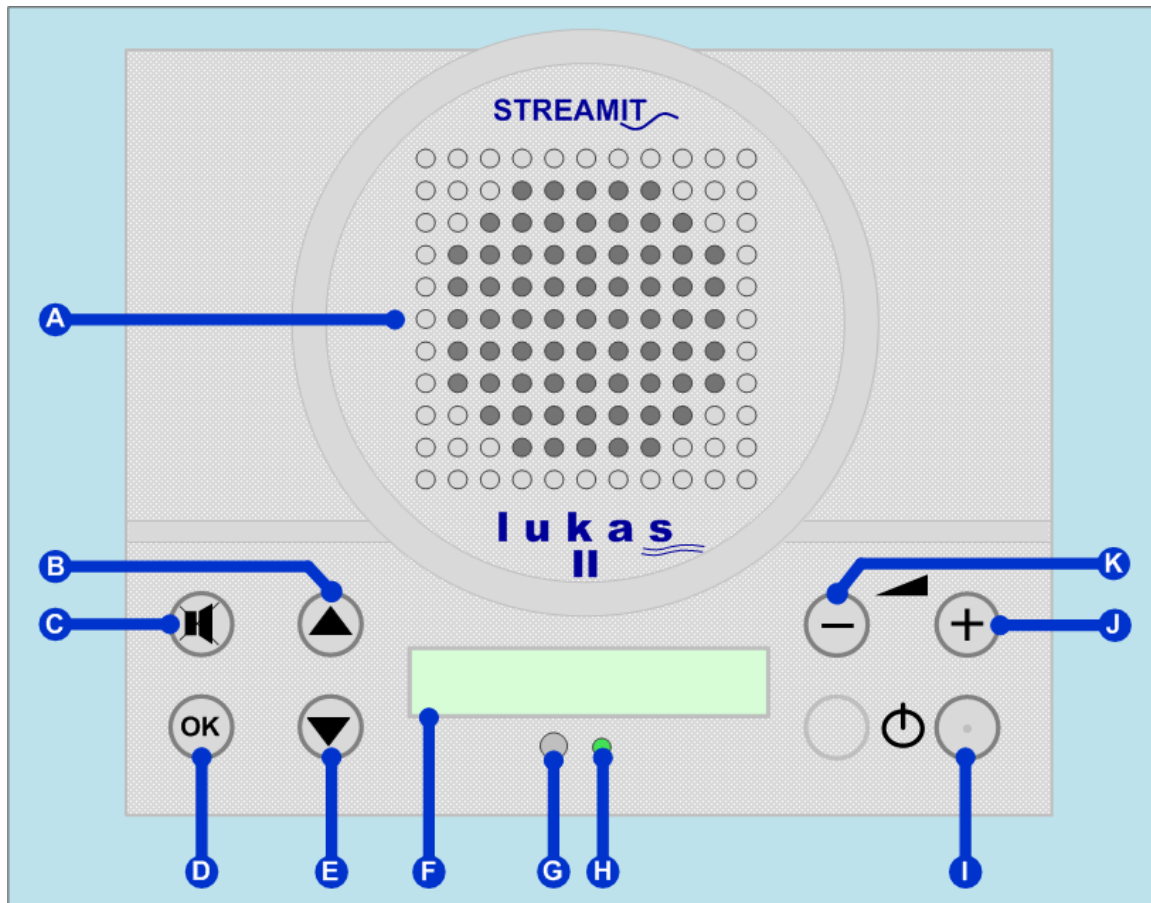


Figure 1.1: Lukas front view

- A – Speaker
- B – Channel/menu up button
- C – Mute button
- D – OK button
- E – Channel/menu down button
- F – 12 characters LCD display

- G – Infrared receiver
- H – Status indicator
- I – On/Off button
- J – Volume up button
- K – Volume down button

ENGLISH

1.5 Rear view

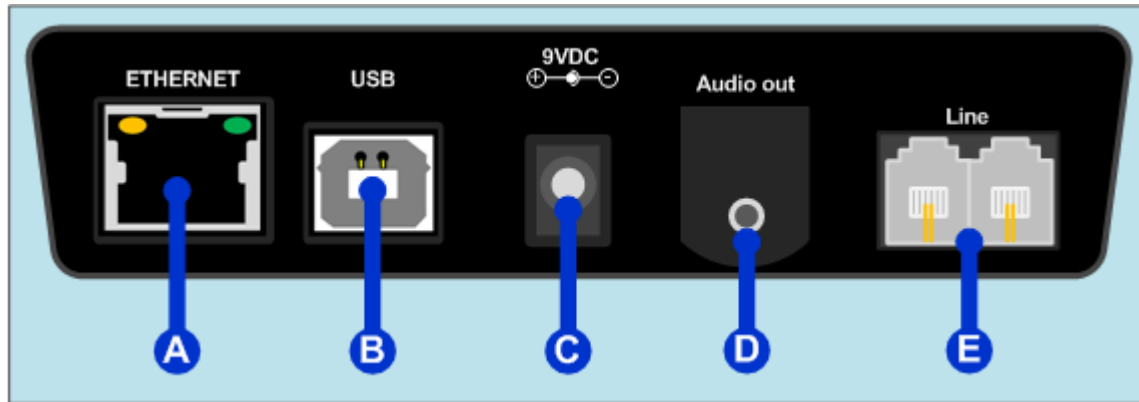


Figure 1.2: Lukas rear view

A – RJ45 Ethernet connector
 B – USB connector
 C – Power supply connector

D – Audio output connector
 E – 2x RJ11 telephone line connector

1.6 Remote control



Figuur 1.3: Remote control

The remote control has the same keys as the device. See the drawing. The remote control also has the keys 0..9 and 1+. With these keys you can select the channels directly instead of using the CH+ and CH- keys.

e.g. To directly connect to channel 12, you would need to first press 1+ and then 2.

2 Installation

This section of the manual will cover the installation of your Lukas internet radio starting from how to mount and connect your device, following with configuration and service tasks.

2.1 Preparing the Lukas

After you have unpacked your Lukas, it can be placed to the desired location. This location should have a flat surface (e.g. a table) and should be near the telephone wall mount plug (in case you use it in telephone mode) or a network modem/switch socket (in case you use it in Ethernet mode).

2.2 Connecting your Lukas


As with every electronic device, there are some directives you need to be followed in order to properly connect your Lukas device.

2.2.1 Connecting the Lukas with the telephone line

To connect the Lukas to the telephone line, use the supplied telephone line cord and, if necessary, the telephone line plug.

2.2.2 Connecting the Lukas on ethernet network


Use the provided ethernet cable to connect your SIR with your cable modem, ADSL modem or router. If everything is ok (and the power supply has also been connected) the yellow led of the ethernet connector will light-up yellow continuously while being connected. The green led will blink randomly.


 Always leave the ethernet connector plugged in the Lukas. If you do not leave the connector in the Lukas, it can take up to 1 minute before you can control the device again.


2.2.3 Connecting the Power supply


Plug the power adaptor to the mains outlet and then plug the connector to the Lukas. The message "One moment..." will appear on the screen, and in a few seconds the Lukas will switch off.

In the process of connecting the power to the Lukas we ask that you pay careful attention to the following instructions:

 Never use wet hands when plugging the power adaptor in the mains and never remove the power adapter from the mains with wet hands.

 Do not cut or damage the cord of the power adapter; do not place heavy objects on the cord. This can cause short-circuit, resulting in electrical shocks or even fire.

 Pulling the cord can also damage the wire and/or isolation causing electrical shocks or fire.

 Using power adapters other than the one recommended for your Lukas device, can result in overheating and damage you device. This can cause fire, electrical shocks and other hazards. Only use the supplied power adapter.



Applying the Lukas to situations with rapid changing temperatures can result in condensation (small amount of water) on the inner and outer surface of your device. To ensure a long lifetime of your Lukas, this should be prevented. In case of such a scenario, wait until you device is 'dry' before you use it again.

2.3 Configuring your Lukas for the first time

One moment..

Press the On/Off button to switch the Lukas on. First you get a message on the LCD "One moment..". Just wait for a few seconds for the device to initialize itself.

If you use the device for the first time (or the Lukas has not been configured), the first step of the configuration wizard is shown (see further in this paragraph).

Depending on the wizard choices, you only see the steps which are applicable. In the explanation of the wizard part it is described in which situations the step is shown.

If you want to change a setting at a later stage, you can do this via the Setup menu. This subject is described in the next chapter.

In *Figure 2.1* below, the menu buttons of your Lukas are depicted. Appended to the right are the names they are referred to as in this manual.

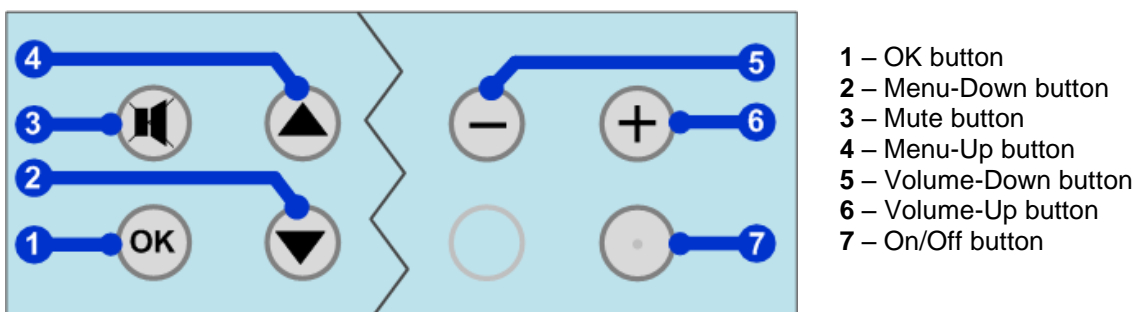


Figure 2.1: The Lukas menu buttons

English

Step 1: Language setup

As default the wizard will start with [English]. Press OK button to confirm the language preference (in this case [English]). You could also choose between [Dutch] and [German] by using the Menu-Up/Down buttons.

Telephone

Step 2.0: Lukasmode setup

The Lukasmode is related to the method the device should use to access the internet. There are two possible modes [Telephone]; in case you are using Dialup connection and [Ethernet] when using ADSL/cable. You can switch between the two by using the menu up/down buttons.

Press OK button to confirm your choice. The choice will also affect which wizard menu is shown next.

In case of [Telephone], the next menu would be the country setting, in case of [Ethernet] you can skip the two coming steps and go directly to step 3.

▲ USA

Step 2.1: Country setup

This step is only applicable if [Telephone] was chosen in step 2.0. You will need to select the country where you want to use the Lukas, from the available list of countries. Use the Menu-Up/Down buttons to browse the list of available countries. When your choice is not in the list please contact your dealer. Press OK button to confirm the choice.

▼ Without '0'

Step 2.2: Predial '0' setup

This step follows the country setting and also applies only when [Telephone] was chosen in step 2.0. The two available options are [With '0'] and [Without '0']. You will need to use the option [With '0'] in case the Lukas is used behind a (home-)pabx. In all other cases the option [Without '0'] is used. Press OK button to confirm your choice.

▼ Autom off

Step 3: E Powering Off setup

This Step is only applicable if [Ethernet] was chosen in step 2.0. If your choice was [Telephone], please go directly to step 4. This feature conditions the behaviour of the Lukas device when the stream it was playing from, stops. By selecting [Autom off], the Lukas is automatically switched off after the stream is stopped. When [Manual off] is chosen, the Lukas keeps waiting for the stream and will only switch off when the On/Off button is pressed. Press OK button to confirm your choice.

▲ Streamit

Step 4: Provider setup

This step only will be shown in case there is more than one providers available and the device is not preconfigured. Choose your provider (use Menu-Up/Down to browse list of available providers) and press OK to confirm your choice.

▲ Remco on

Step 5: Remote control setup

This step can be used to enable/disable the IR remote control the Lukas features. Respectively The option [Remco on], will enable the remote control, while the option [Remco off] will disable it. Switching between the two option is possible using the Menu-Up/Down buttons. Press OK to confirm your choice.

Setup ready

Congratulations! You have completed the Lukas startup configuration wizard. The device will automatically restart and the wizard settings will be set up as default. On start up your Lukas will connect to the selected provider's database (Streamit in this case) and load from there an up to date channel list (and other settings when available).

If you would like to preconfigure and use the Lukas with other settings, you should use the Streamit Terminal Program.

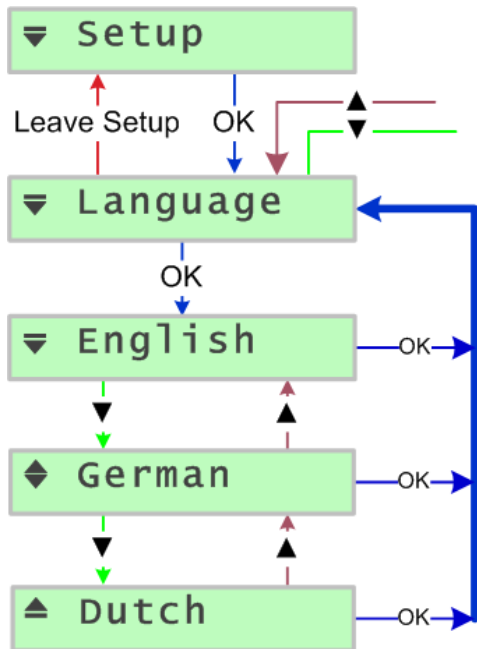


During the first connecting of the Lukas with the provider's database, most probably the software of the Lukas will be updated. The progress is shown on the LCD screen. Do NOT power off the Lukas during software updates, as this can result in not functioning of the Lukas anymore.

3 Lukas Configuration – Setup menu

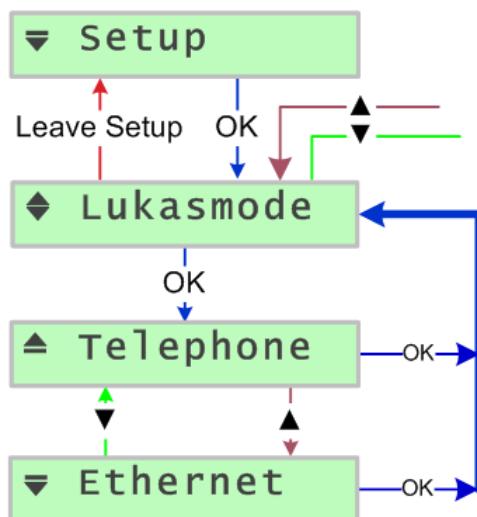
In the Lukas setup menu you can manually change the configurations of your device. The menu of your Lukas is accessed by pressing the Volume-Down and On/Off buttons together while the device is in powered off state. The menu includes Setup and Service options. Press the OK button to enter the Setup menu.

3.1 Changing the menu language setting



You can come to the language menu by entering the Lukas setup. If you are already in [Setup], press the Menu-Up/Down buttons until you reach the [Language] option. Press OK button to access the [Language] menu. You can use the Menu-Up/Menu-Down buttons to browse through the available languages and use the OK button to confirm your choice. The chosen language will be applied and the Lukas will return to the [Language] menu option.

3.2 Changing the Lukasmode setting

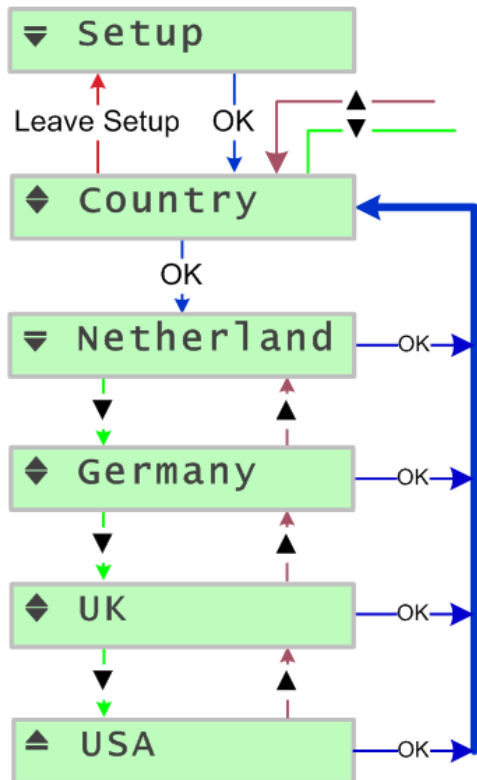


You can come to the [Lukasmode] menu by entering the [Setup] and pressing Menu-Down button. If you are already in the [Setup] menu, just browse through until you find the [Lukasmode] option.

Press OK to access this menu. The two available options are [Telephone] and [Ethernet]. Choose for [Telephone] in case you are using Dialup connection or press Menu-Up to choose [Ethernet] when using ADSL/cable.

Press OK button to confirm your choice. The changes will be applied and the Lukas will return to the [Lukasmode] menu option.

3.3 Changing the country setting



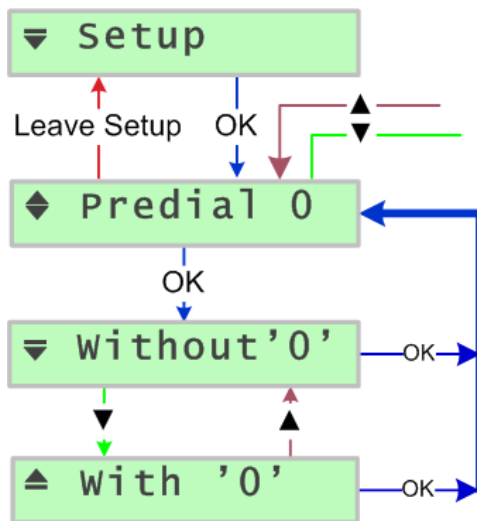
You can come to the [Country] menu only when [Telephone] was chosen in the [Lukasmode] menu. When you are in the [Setup] menu, just browse through until you find the [Country] option.

Press OK to access this menu. According to the software version, there can be a number of available options. Use Menu-Up/Down to browse through the available countries.

Press OK button to confirm your choice. The changes will be applied and the Lukas will return to the [Country] menu option.

In case your country is not in this list, please contact you dealer.

3.4 Changing the Predial '0' setting



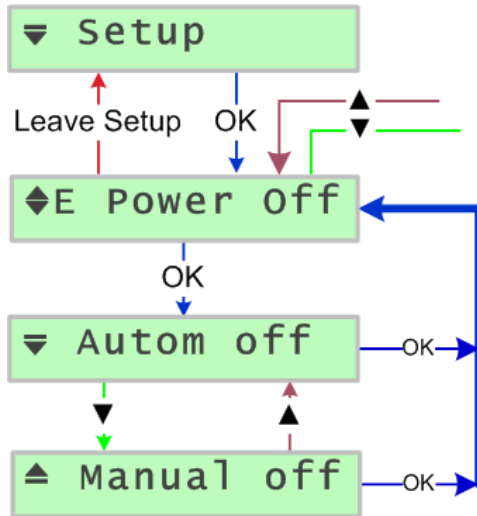
You can come to the [Predial 0] menu only when [Telephone] was chosen in the [Lukasmode] menu. When you are in the [Setup] menu, just browse through until you find the [Predial 0] option.

Press OK to access this menu. The two available options are [Without'0'] and [With '0']. Choose for [With '0'] in case the Lukas is used behind a (home-)pabx, or press Menu-Down and choose for [Without'0'] in all other cases.

Press OK button to confirm your choice. The changes will be applied and the Lukas will return to the [Predial 0] menu option.

ENGLISH

3.5 Changing the E Power Off setting

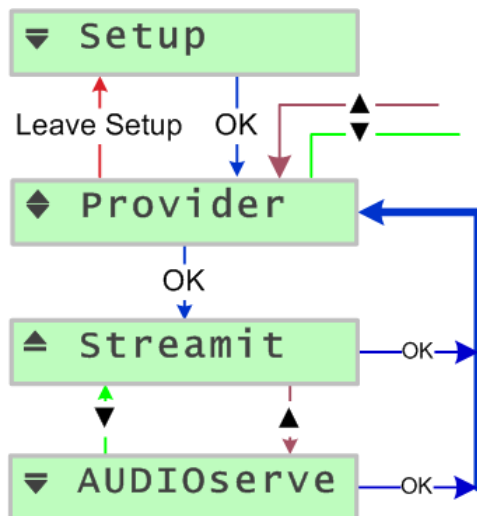


You can come to the [E Power Off] menu only when [Ethernet] was chosen in the [Lukasmode] menu. When you are in the [Setup] menu, just browse through until you find the [E Power Off] option.

Press OK to access this menu. The two available options are [Autom off] and [Manual off]. Choose for [Autom off] in case you want your Lukas to automatically switch off when the audio stream it was playing from is not available anymore. In case you choose for [Manual off], the Lukas will keep retrying to connect to the “not available” stream and only switch off when you press the On.Off button.

Press OK button to confirm your choice. The changes will be applied and the Lukas will return to the [E Power Off] menu option.

3.6 Changing the Provider setting

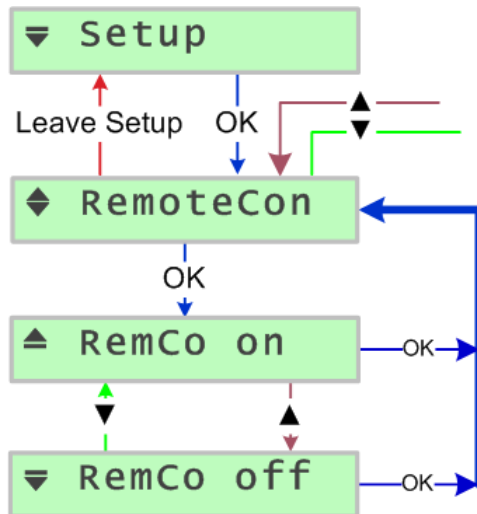


The [Provider] menu is only available when your Lukas device is not preconfigured.

You can come to the [Provider] menu by entering the [Setup] and pressing Menu-Down. If you are already in the setup menu, just browse through until you find the [Provider] option. Press OK to access the Provider menu. You can use the Menu-Up/Menu-Down buttons to browse through the available providers and use the OK button to confirm your choice.

The changes will be applied and the Lukas will return to the [Provider] menu option.

3.7 Changing the Remote Control setting



You can come to the [RemoteCon] menu by entering the [Setup] and pressing Menu-Down button. If you are already in the [Setup] menu, just browse through until you find the [RemoteCon] option.

Press OK to access this menu. The two available options are [Remco on] and [Remco off]. Choose for [Remco on] in case you want to enable the Lukas IR remote control or press Menu-Up to choose [Remco off]. This will disable the IR remote control.

Press OK button to confirm your choice. The changes will be applied and the Lukas will return to the [RemoteCon] menu option.

ENGLISH

4 Service Menu

The Service menu of your Lukas is used to show you some hardware/software information and perform small service operations. Let us take a look at all the Service menu options and what each of them does.

◆ Service

Enter the Lukas menu by pressing the Volume-Down and On/Off buttons together while the device is in powered off state. From the options available choose [Service]. Press OK button to confirm your choice.

▼ Lukas ID

ID: 1234A

The first menu is the [Lukas ID]. Press OK button to access this menu. The device's serial number will be shown on the screen; in this example '1234A'. The serial number of your Lukas device is unique and especially important when you want to get access to closed user group web casts. Through its ID code a Lukas can identify itself and if the administrator has added your Lukas in the list of allowed devices, then access is granted. This happens automatically and is transparent to the user.

Press OK button to get back to the [Service] menu.

◆ SW Version

V: 02.05 B05

Your Lukas also shows you the version of software it is running. This is available from the [SW Version] menu (press OK to access it); in this example version 02.05 B05. It is sometimes important for the technical support people at Streamit (or your local dealer) to know this information, in order to help you properly in case help is required.

Press OK button to get back to the [Service] menu.

◆ Update SW

The Lukas features Remote Software Update feature. The [Update SW] feature is used to force your device to perform an update check. If you press OK button for this option, the Lukas will check for a new software version (also known as firmware) and when a new version is available, the Lukas will update to this version. The messages on the screen will change according to the update progress.



Do NOT power off the Lukas during software updates, as this can result in not functioning of the Lukas anymore.

◆ R-Selftest

S-Test: PASS

The [R-Selftest] menu is used to shows the result of the last selftest you performed on your Lukas, which must be PASS for your device to operate properly. Press OK for the [R-Selftest] menu to see the result of the last selftest .

Press OK button to get back to the [Service] menu.

◆ Selftest

S-Test: PASS

The Selftest functionality has been designed to diagnose in no time if there is hardware malfunction of your Lukas. Press OK button to start the selftest; wait for the result.

Press OK button to get back to the [Service] menu.



For an accurate result of the selftest, it is important that

the device is fully switched off and on by releasing the power adapter 30-seconds from the mains.

◆ Reset

To load the settings of your device with default values, the [Reset] option can be used. When you press OK button for the [Reset] option, the text 'Resetting...' is first shown on the screen; then the device will enter the wizard mode.

▲ Leave Srvce

Use the [Leave Srvce] option to leave the [Service] menu and return to the Lukas main menu.

5 Using the Lukas

5.1 Setting up the first connection

After the Lukas has been configured, the first connection with an audio channel can be setup. If the Lukas is not switched on, do this by pressing the On/Off key.

After some time, the name of the first audio channel in the list appears on the screen.

You can choose the audio channel with the Menu-Up and Menu-Down buttons. After pressing the OK button, the connection with this channel is made. If no key is pressed, the connection is automatically made after some seconds.

5.2 Choosing another channel

Another channel can be chosen by pressing the Menu-Up (channel up) or Menu-Down (channel down) buttons, as with an old-fashioned radio.

After pressing the OK button, the connection with this channel is made. If no key is pressed, the connection is automatically made after some seconds.



This function is available only if more than one channel is available.

5.3 Powering off the device

The Lukas always can be switched off by pressing the On/off button.



The Lukas automatically is switched off after a channel is not available anymore.

5.4 Adjusting the volume

The volume can be adjusted by pressing the Volume-Up/Volume-Down buttons. The new volume setting is stored automatically.



The sound can be temporarily switched off by pressing the Mute button.

5.5 Using a headphone

The 'Audio out' connector of the Lukas also can be used for connecting a stereo headphone. The headphone impedance should be more than 30 ohms. It is also desired that the headphone cable has a volume control, because the Lukas volume control cannot be used in case the headphone is used.

A good headphone we suggest is the Philips HP 250 stereo headphone with volume control and 5 m cable.

When the headphone is connected to the 'Audio out' connector, the speaker is switched off.

Begrip van Instructies

WAARSCHUWING: Het is belangrijk om deze instructies zorgvuldig op te volgen. Niet goed opvolgen van de instructies kan nadelig zijn en het apparaat beschadigen.



BELANGRIJK: Deze instructies zijn belangrijk om het correct werken van het apparaat te begrijpen

Notities over handelsmerken

- De Lukas is een geregistreerd handelsmerk van Streamit.
- Streamit is een geregistreerd handelsmerk
- Alle andere handelsmerken die zijn gebruikt in dit document, zijn eigendom van de desbetreffende bezitter.

Copyright ©2009 Streamit

Alle rechten voorbehouden. Geen enkel gedeelte van deze publicatie mag worden overgedragen of gekopieerd, in welke vorm dan ook, zonder uitdrukkelijke schriftelijke toestemming.

Afwijzen van aansprakelijkheid

Deze handleiding is zorgvuldig gevalideerd en nagekeken. De instructies en beschrijvingen die hierin staan zijn accuraat voor de Streamit internet Radio's op het moment van de productie van deze handleiding. Echter nieuwere Streamit internet Radio's en handleidingen kunnen zonder kennisgeving worden gewijzigd. Streamit aanvaardt diensgevolge geen aansprakelijkheid voor opgelopen schade direct of indirect voortvloeit uit fouten of omissies in de handleiding, of uit weglatingen of discrepantie tussen de internet radio en handleiding.

EU-verklaring van overeenstemming

Dit product draagt het CE-Merk in overeenstemming met de relevante Europese richtlijnen. Het CE merk is de verantwoordelijkheid van Streamit B.V., Verdunplein 10, 5627 SZ Eindhoven, Nederland.



Dit is een A klasse product. In een huiselijke omgeving kan dit product radio onderbrekingen veroorzaken in dat geval kan van de gebruiker worden vereist om adequate maatregelen te treffen.

FCC-nalevings verklaring

NOTE: This device complies with Part 15 of the FCC limits for Class B digital devices FOR HOME OR OFFICE USE ("home or office" interference requirements are more stringent than "outdoor" requirements). Operation of this device is subject to the following conditions: (1) This device may not cause harmful interference, and (2) this device must accept any interference received, including interference that may cause undesired operation.

The Streamit Internet Radio device does not contain any user-serviceable parts. Repairs should be made only by an authorized Streamit service center. Unauthorized repairs or modifications could result in permanent damage to the equipment, and void your warranty and your authority to operate the device under Part 15 regulations.

1	BEGINNEN	19
1.1	ALLEREERST	19
1.2	LUKAS ONDERSTEUNING	19
1.3	HET APPARAAT UITPAKKEN.....	19
1.4	REFERENTIES.....	FOUT! BLADWIJZER NIET GEDEFINIEERD.
1.5	VOORAANZICHT	20
1.6	ACHTERAANZICHT.....	21
1.7	AFSTANDSBEDIENING.....	21
2	INSTALLATIE.....	22
2.1	DE LUKAS VOORBEREIDEN	22
2.2	DE LUKAS AANSLUITEN	22
2.2.1	De telefoonlijn aansluiten.....	22
2.2.2	De Lukas op het Ethernet netwerk aansluiten	22
2.2.3	De stroomtoevoer aansluiten.....	22
2.3	DE LUKAS VOOR DE EERSTE KEER INSTELLEN	23
3	LUKAS CONFIGURATIE – SETUP MENU	25
3.1	DE MENUTAAL INSTELLINGEN WIJZIGEN	25
3.2	DE LUKASMODE INSTELLINGEN WIJZIGEN	25
3.3	DE LAND INSTELLINGEN WIJZIGEN.....	26
3.4	DE “VOORLOOP 0” INSTELLINGEN WIJZIGEN	26
3.5	DE “UITSCHAKELEN” INSTELLINGEN WIJZIGEN.....	27
3.6	DE PROVIDER INSTELLINGEN WIJZIGEN.....	27
3.7	DE AFSTANDSBEDIENING INSTELLINGEN WIJZIGEN	28
4	SERVICE MENU.....	29
5	DE LUKAS GEBRUIKEN	31
5.1	DE EERSTE KEER EEN VERBINDING OPBOUWEN	31
5.2	HET KIEZEN VAN EEN ANDER KANAAL	31
5.3	HET UITZETTEN VAN HET APPARAAT	31
5.4	HET AANPASSEN VAN HET VOLUMENIVEAU.....	31
5.5	HET AANSLUITEN VAN EEN HOOFDTELEFOON.....	31

1 Beginnen

1.1 Allereerst

hartelijk dank voor de aanschaf van de Lukas II internetradio ontvanger.

De Lukas is een volledig autonoom werkende ontvanger waarmee u kunt luisteren naar radio uitzendingen, achtergrondmuziek en kerkdiensten. De Lukas kan aangesloten worden op een telefoonlijn en op een ethernet aansluiting.

De Lukas kan gebruikt worden met een aantal voorgeprogrammeerde providers. Met het Streamit Terminal Programma (STP), een gebruikersvriendelijk software programma dat u op uw PC kunt installeren, kunt u het apparaat zelf configureren. STP kunt u gratis van de Streamit website downloaden.

Voor meer informatie over de producten en oplossingen die Streamit kan leveren, nodigen we u uit om onze website te bezoeken. <http://www.streamit.eu>

Ten slotte wensen wij u veel plezier met het gebruik van uw Lukas ontvanger.

Streamit B.V.

1.2 Lukas ondersteuning

Met deze handleiding hebben we geprobeerd om helder te beschrijven hoe de Lukas radio te bedienen. Maar we kunnen ons voorstellen dat u nog een vraag hebt of nog een punt tegenkwam dat niet in deze handleiding behandeld is. In dat geval bent u welkom om onze website te bezoeken (<http://www.streamit.eu>) alwaar u up to date documentatie en de laatste softwareversies vindt.

Als u de Lukas via een van onze dealers hebt gekocht, raden we u aan om eerst contact met uw dealer op te nemen.

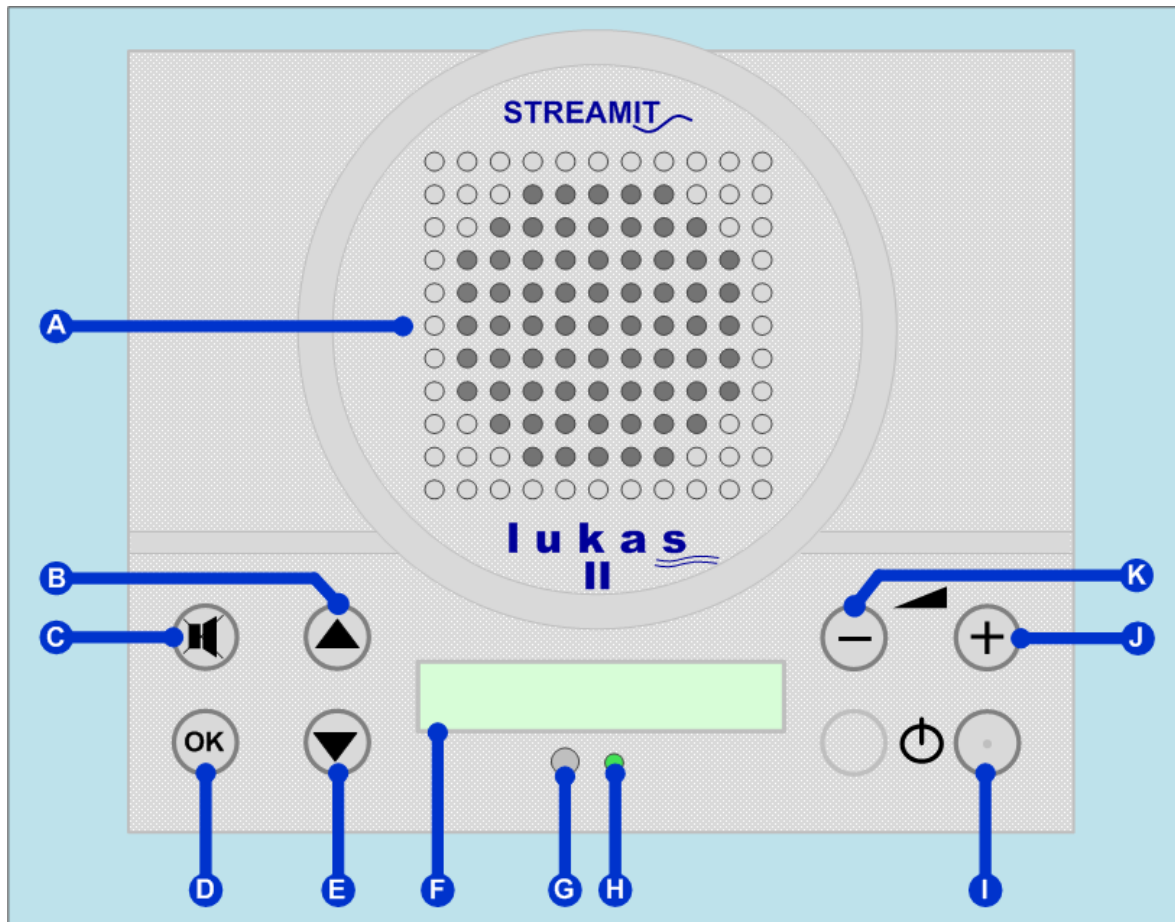
1.3 Het apparaat uitpakken

Haal het apparaat en de bijbehorende materialen voorzichtig uit de verpakking. Verzeker u ervan dat alle componenten aanwezig zijn:

- ✓ Lukas II internet radio ontvanger
- ✓ Afstandsbediening
- ✓ 9V-800mA of 9V-400mA voedingsadapter
- ✓ 3m Netwerkkabel
- ✓ 3m RJ11 telefoonsnoer
- ✓ Telefoonstekker (niet in alle versies)

De CR2025 Lithium batterij zit al in de afstandsbediening. Voordat u de afstandsbediening gaat gebruiken moet u eerst het dunne plastic velletje eruit trekken.

1.4 Vooraanzicht

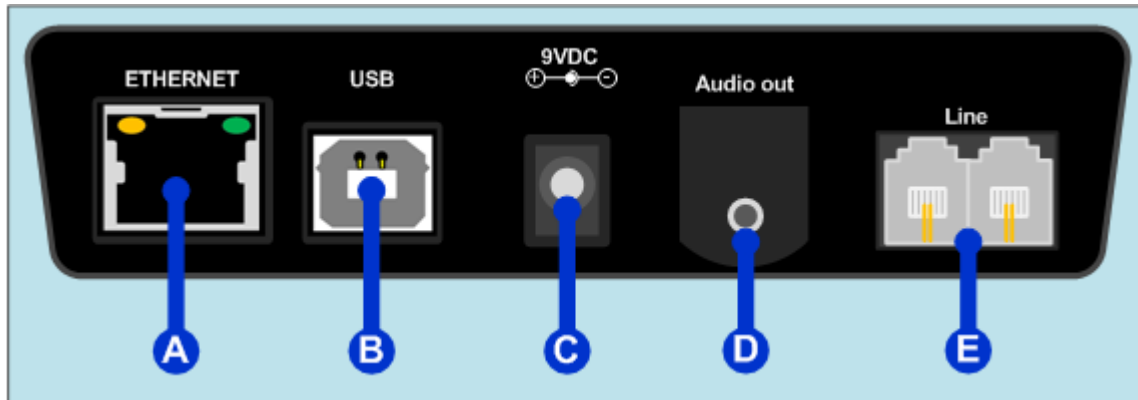


Figuur 1.1: Lukas vooraanzicht

- A – Luidspreker
- B – Vorig kanaal/menu toets
- C – Geluid uit toets
- D – OK toets
- E – Volgend kanaal/menu toets
- F – 12 karakters LCD display

- G – Indicatielampje voor infrarood ontvangst
- H – Status indicatie
- I – Aan/uit toets
- J – Volume harder toets
- K – Volume zachter toets

1.5 Achteraanzicht



Figuur 1.2: Lukas achteraanzicht

- A** – Netwerkaansluiting (RJ45)
- B** – USB aansluiting
- C** – Aansluiting voor de voeding

- D** – Speekeraansluiting
- E** – 2x telefoonlijn aansluiting (RJ11)

1.6 Afstandsbediening



Figuur 1.3: Afstandsbediening

Op de afstandsbediening zitten dezelfde knoppen als op het apparaat. Zie tekening. Tevens beschikt de afstandsbediening over de knoppen 0..9 en 1+. Hiermee kunnen kanaalnummers direct gekozen worden in plaats van de **CH+** en **CH-** toetsen te gebruiken.

2 Installatie

Dit hoofdstuk beschrijft het aansluiten van uw Lukas ontvanger, gevolgd door het instellen en onderhouden ervan.

2.1 De Lukas voorbereiden

Haal de Lukas uit de doos en plaats deze op een vlakke ondergrond in de nabijheid van een telefoonplug of een netwerk aansluiting, afhankelijk van hoe u het apparaat wilt gaan gebruiken.

2.2 De Lukas aansluiten

Zoals met elk elektronisch apparaat, zijn er enkele richtlijnen die u moet volgen om deze goed te laten functioneren.

2.2.1 De telefoonlijn aansluiten

Gebruik voor het aansluiten van de Lukas op de telefoonlijn, het bijgeleverde telefoonsnoer en indien nodig de telefoonstekker.

2.2.2 De Lukas op het Ethernet netwerk aansluiten

Gebruik het bijgeleverde netwerksnoer om de Lukas op uw kabelmodem, ADSL modem of router aan te sluiten. Als het goed is gaat (als de voedingsadapter ook aangesloten is) het gele lampje van de netwerk connector bij het aansluiten continue branden. Het groene lampje gaat onregelmatig knipperen.

Tip: als de afstand tussen de Lukas en het ADSL modem te groot is, kunt u overwegen het ADSL modem in de buurt van de Lukas te plaatsen in plaats van een lange netwerkkabel te installeren.



Laat de netwerk connector altijd in de Lukas zitten. Als deze er niet inzit en u zet het apparaat aan, kan het tot 1 minuut duren voordat u het apparaat weer kunt bedienen.

2.2.3 De stroomtoevoer aansluiten

Steek het snoer van de voedingsadapter in de Lukas.



Steek de voedingsadapter nooit met natte handen in het stopcontact en haal de stekker nooit met natte handen uit het stopcontact.



Zorg ervoor dat u de snoer van de voedingsadapter niet doorsnijdt, beschadigt of wijzigt, plaats geen zware voorwerpen op de snoer. Dit kan kortsluiting veroorzaken, of een elektrische shock of zelfs brand ten gevolge hebben.



Aan de snoer trekken kan de draad en de isolatie hiervan beschadigen of blootleggen waardoor kans op brand of elektrische schokken ontstaat.



Gebruik alleen de meegeleverde netadapter. Het gebruik van netadapters die niet zijn aangeraden voor de Lukas, kan tot oververhitting en beschadiging van het apparaat leiden. Dit kan brand, elektrische schokken en andere gevaren als gevolg hebben.



Snelle temperatuurwisselingen kan bij de Lukas tot condensatievorming (waterschade) leiden. Voor een lange levensduur van de Lukas dient dit zoveel mogelijk voorkomen te worden.

Mocht dit toch gebeuren, wacht dan tot het vocht volledig verdampt is voordat u het apparaat weer gaat gebruiken.

2.3 De Lukas voor de eerste keer instellen

Even geduld

De Lukas wordt aangezet door op de Aan/uit toets te drukken. Op het scherm verschijnt nu eerst de tekst “Even geduld”

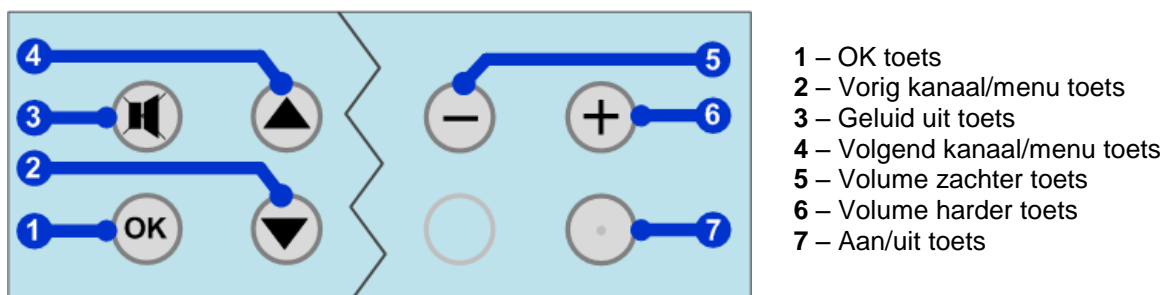
Als u het apparaat voor de eerste keer gebruikt (of de Lukas nog niet is ingesteld), komt u automatisch in het eerste item van de opstart wizard terecht (zie verderop in deze paragraaf).

Afhankelijk van de uitvoering van de Lukas krijgt u de items te zien die van toepassing zijn. In de uitleg bij het betreffende wizard onderdeel is vermeld in welke situaties het item getoond wordt.

Als u op een later moment een instelling wilt wijzigen, kunt u dit via het Setup menu doen. Dit onderwerp wordt in het volgende hoofdstuk beschreven.

Als u de Lukas voor de eerste keer aanzet en de Lukas is nog niet ingesteld, doorloopt u een eenvoudige wizard.

In de onderstaande *Figuur 2.1* zijn de knoppen van de Lukas afgebeeld. Naast de figuur zijn de namen opgesomd van de knoppen zoals ze in deze manual genoemd worden.



Figuur 2.1: De Lukas toetsen

▲ Dutch

Stap 1: Taal instellen

Als standaard zal de wizard met Engels starten. Druk OK om de taal voorkeur te bevestigen (in dit geval Dutch). U kunt ook kiezen uit [English] en [German] door de menu omhoog/omlaag toetsen te gebruiken.

▲ Telefoon

Stap 2.0: Lukas mode instellen

Met de Lukas mode wordt ingesteld hoe de Lukas een verbinding met het internet opbouwt. Dit kan op twee manieren: [Telefoon] in het geval u gebruik wilt maken van de telefoonlijn en [Ethernet] als u gebruik wilt maken van uw kabelmodem, ADSL modem of router. U kunt wisselen tussen deze twee manieren door de menu omhoog/omlaag toetsen te gebruiken.

Druk op de OK toets om uw keuze te bevestigen. Deze keuze bepaalt ook welk wizard item als volgende getoond wordt. In het geval van [Telefoon] is het volgende menu [Land], in het geval van [Ethernet] kunt u de volgende twee stappen overslaan en direct naar stap 3 gaan.

▼ Nederland

Stap 2.1: Land instellen

Deze stap is alleen van toepassing als u [Telefoon] heeft gekozen in stap 2.0. U moet het land kiezen waar u de Lukas wilt gebruiken. Als uw keuze niet in de lijst staat, neem dan contact met uw dealer op. Druk op de OK toets om uw keuze te bevestigen.

▼ Zonder '0'

Stap 2.2: Voorloop 0 instellen

Deze stap volgt op de Land instelling en is alleen van toepassing als [Telefoon] is gekozen in stap 2.0. De twee beschikbare opties zijn [Met '0'] en [Zonder '0']. De optie [Met '0'] moet gekozen worden als de Lukas achter een huiscentrale gebruikt gaat worden. In alle andere situaties moet u [Zonder '0'] kiezen. Druk op de OK toets om uw keuze te bevestigen.

▼ Autom uit

Stap 3: E uitschakelen

Deze stap is alleen van toepassing als [Ethernet] gekozen is in stap 2.0. Als u [Telefoon] had gekozen, kunt u deze stap overslaan en verder gaan met stap 4.

Deze instelling bepaalt wat de Lukas gaat doen indien het station waarna u aan het luisteren bent, wegvalt. Als u [Autom uit] kiest, wordt de Lukas in deze situatie automatisch uitgeschakeld. Als u [Handm uit] kiest, blijft de Lukas wachten op het radiostation. De Lukas wordt pas uitgeschakeld nadat u op de Aan/uit toets gedrukt hebt. Druk op de OK toets om uw keuze te bevestigen.

▲ Streamit

Stap 4: Provider instellen

Deze stap wordt alleen getoond in het geval er uit meer dan één provider gekozen kan worden en de Lukas niet is voorgeconfigureerd. Kies uw provider met behulp van de menu omhoog/omlaag toetsen en bevestig uw keuze met de OK toets.

▲ AfstB aan

Stap 7: Afstand bediening

In deze laatste stap kunt u de afstandsbediening-ontvanger van de Lukas aan- en uitschakelen. Als u [AfstB aan] kiest, wordt de afstandsbediening-ontvanger aangezet, terwijl met de [AfstB uit] keuze de afstandsbediening-ontvanger uitgezet wordt. Uw keuze wordt met de OK toets bevestigd.

Setup gereed

Gefeliciteerd! Uw Lukas is nu helemaal ingesteld. Na enkele seconden start de Lukas opnieuw op met de nieuwe instellingen. Nadat de Lukas is opgestart, bouwt deze een verbinding op met de database van de provider en haalt een lijst met kanalen en andere instellingen op.

Als u uw Lukas wilt gebruiken met andere instellingen, dan moet u hiervoor het Streamit Terminal Program gebruiken.

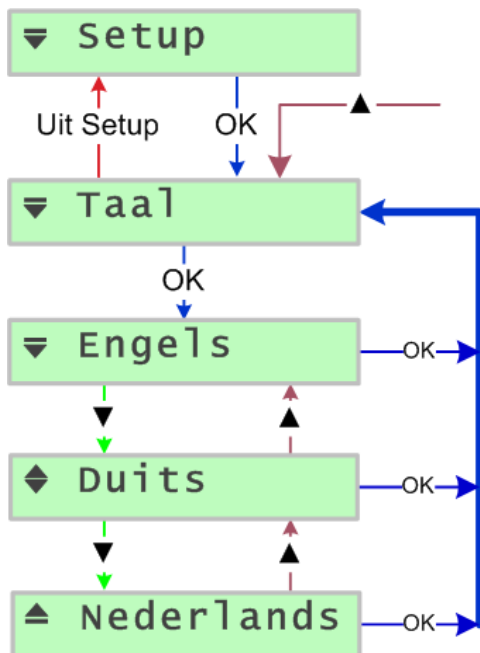


Tijdens het eerste contact van de Lukas met de database van de provider is het zeer waarschijnlijk dat de software van de Lukas vernieuwd wordt. De voortgang hiervan wordt getoond op het LCD scherm. Haal NOOIT de netspanning van de Lukas af tijdens software updates, omdat dit kan resulteren in het niet meer werken van de Lukas.

3 Lukas Configuratie – Setup menu

In het Lukas Setup menu kunt u handmatig instellingen wijzigen. U kunt in het Setup menu komen door het apparaat eerst uit te zetten met de Aan/uit toets. Vervolgens moet u gelijktijdig de Volume zachter en Aan/uit toets indrukken. U ziet nu [Setup] in het scherm staan. Druk op de OK toets om het Setup menu in te gaan.

3.1 De menutaal instellingen wijzigen

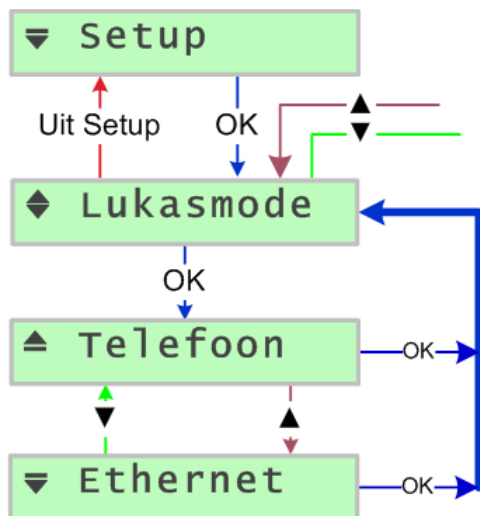


Het [Taal] menu kunt u vinden door vanuit [Setup] één of meerdere keren op de Vorig/Volgend menu toetsen te drukken.

Druk op de OK toets om het [Taal] menu te kiezen. Druk één of meerdere keren op de Vorig/Volgend menu toetsen om een taal te kiezen.

Bevestig uw keuze door op de OK toets te drukken. Uw keuze wordt meteen toegepast en de Lukas zal teruggaan naar het [Taal] menu.

3.2 De Lukasmode instellingen wijzigen



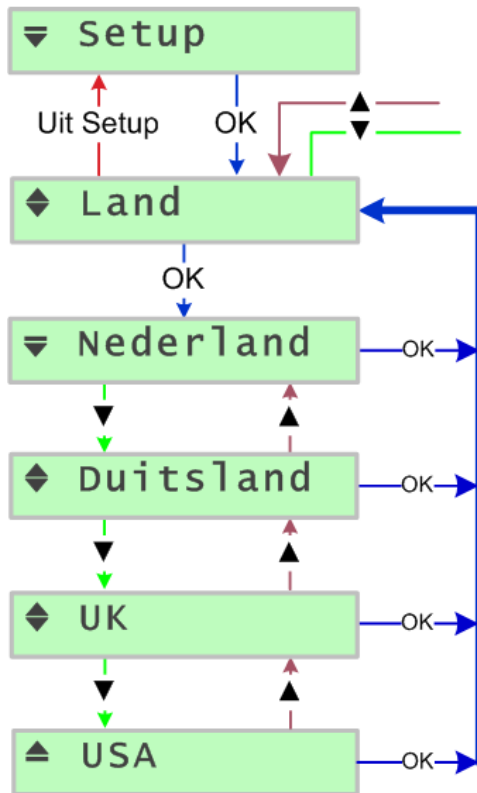
Het [Lukasmode] menu kunt u vinden door vanuit [Setup] één of meerdere keren op de Vorig/Volgend menu toetsen te drukken.

Druk op de OK toets om het menu te kiezen.

De twee beschikbare opties zijn [Telefoon] en [Ethernet]. Kies voor [Telefoon] in het geval u gebruik wilt maken van de telefoonlijn en [Ethernet] als u gebruik wilt maken van uw kabelmodem, ADSL modem of router.

Bevestig uw keuze door op de OK toets te drukken. Uw keuze wordt meteen toegepast en de Lukas zal teruggaan naar het [Lukasmode] menu.

3.3 De Land instellingen wijzigen



Het [Land] menu is alleen beschikbaar als [Telefoon] gekozen was in het [Lukasmode] menu.

Het [Land] menu kunt u vinden door vanuit [Setup] één of meerdere keren op de Vorig/Volgend menu toetsen te drukken.

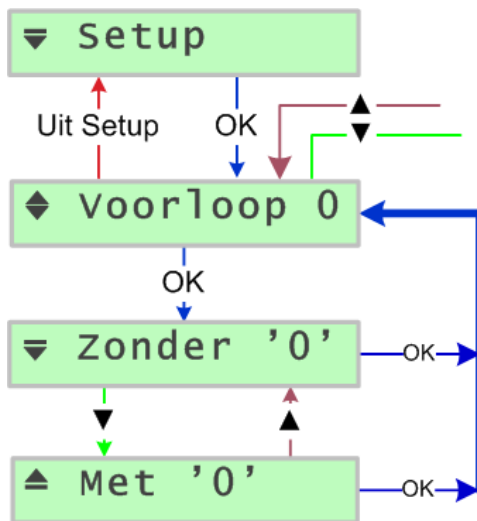
Druk op de OK toets om het menu te kiezen.

Afhankelijk van de software versie worden een aantal landen getoond. Gebruik de Volgend/vorig menu toetsen om de beschikbare landen te zien.

Bevestig uw keuze door op de OK toets te drukken. Uw keuze wordt meteen toegepast en de Lukas zal teruggaan naar het [Land] menu.

Als uw keuze niet in de lijst staat, neem dan contact met uw dealer op.

3.4 De "Voorloop 0" instellingen wijzigen



Het [Voorloop 0] menu is alleen beschikbaar als [Telefoon] gekozen was in het [Lukasmode] menu.

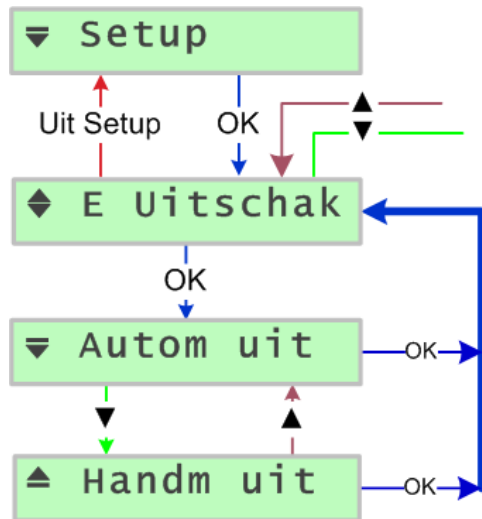
Het [Voorloop 0] menu kunt u vinden door vanuit [Setup] één of meerdere keren op de Vorig/Volgend menu toetsen te drukken.

Druk op de OK toets om het menu te kiezen.

De twee beschikbare opties zijn [Met '0'] en [Zonder '0']. De optie [Met '0'] moet gekozen worden als de Lukas achter een huiscentrale gebruikt gaat worden. In alle andere situaties moet u [Zonder '0'] kiezen.

Druk op de OK toets om uw keuze te bevestigen. Uw keuze wordt meteen toegepast en de Lukas zal teruggaan naar het [Voorloop 0] menu.

3.5 De “Uitschakelen” instellingen wijzigen



Het [E Uitschak] menu is alleen beschikbaar als [Ethernet] gekozen was in het [Lukasmode] menu.

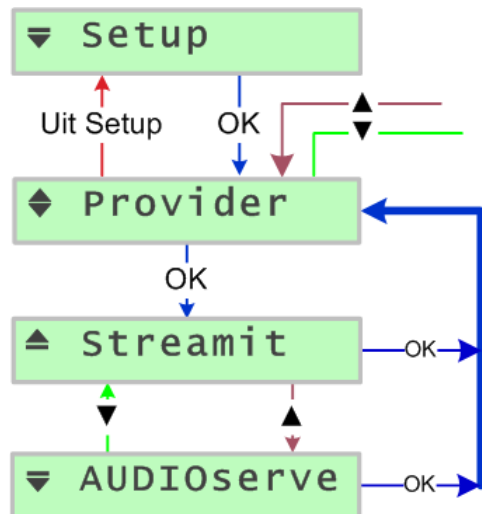
Het [E Uitschak] menu kunt u vinden door vanuit [Setup] één of meerdere keren op de Vorig/Volgend menu toetsen te drukken.

Druk op de OK toets om het menu te kiezen.

Deze instelling bepaalt wat de Lukas gaat doen indien het station waarna u aan het luisteren bent, wegvalt. Als u [Autom uit] kiest, wordt de Lukas in deze situatie automatisch uitgeschakeld. Als u [Handm uit] kiest, blijft de Lukas wachten op het radiostation. De Lukas wordt pas uitgeschakeld nadat u op de Aan/uit toets gedrukt hebt.

Druk op de OK toets om uw keuze te bevestigen. Uw keuze wordt meteen toegepast en de Lukas zal teruggaan naar het [E Uitschak] menu.

3.6 De provider instellingen wijzigen



Het [Provider] menu is alleen beschikbaar als er uit meer dan één provider gekozen kan worden en de Lukas niet is voorgeconfigureerd.

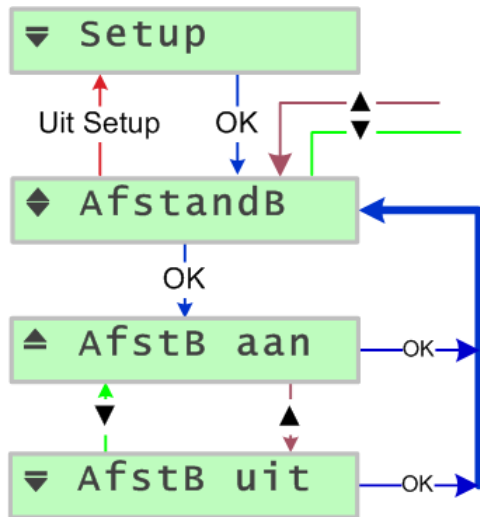
Het [Provider] menu kunt u vinden door vanuit [Setup] één of meerdere keren op de Vorig/Volgend menu toetsen te drukken.

Druk op de OK toets om het menu te kiezen.

Kies uw provider met behulp van de menu omhoog/omlaag toetsen en bevestig uw keuze met de OK toets.

Uw keuze wordt meteen toegepast en de Lukas zal teruggaan naar het [Provider] menu.

3.7 De afstandsbediening instellingen wijzigen



Het [AfstandB] menu kunt u vinden door vanuit [Setup] één of meerdere keren op de Vorig/Volgend menu toetsen te drukken.

Druk op de OK toets om het [AfstandB] menu te kiezen.

Als u [AfstB aan] kiest, wordt de afstandsbediening-ontvanger aangezet, terwijl met de [AfstB uit] keuze de afstandsbediening-ontvanger uitgezet wordt.

Bevestig uw keuze door op de OK toets te drukken. Uw keuze wordt meteen toegepast en de Lukas zal teruggaan naar het [AfstandB] menu.

4 Service menu

In het Service van uw Lukas kunt u enige informatie over de Lukas bekijken en enkele testen uitvoeren. In deze paragraaf bespreken we elk van de Service menu opties.

◆ Service

U kunt in het Service menu komen door het apparaat eerst uit te zetten met de Aan/uit toets. Vervolgens moet u gelijktijdig de Volume zachter en Aan/uit toets indrukken. Druk nu op de Volgend/vorig menu toetsen totdat u [Service] in het scherm staan. Druk op de OK toets om uw keuze te bevestigen.

▼ Lukas ID

ID: 1234A

Het eerste menu is de [Lukas ID]. Druk op de OK button om dit menu te kiezen.

Nu wordt het serienummer van de Lukas getoond; in dit voorbeeld: 1234A. Het serienummer van uw Lukas ontvanger is uniek en belangrijk als u toegang wilt krijgen tot uitzenden van besloten gebruikers groepen. Dit nummer wordt als identificatie gebruikt voor de provider en hiermee wordt uw toegang tot de provider gegarandeerd. Dit gebeurt automatisch en hier hoeft de gebruiker verder niets voor te doen.

Druk op de OK toets om weer terug te gaan naar het [Service] menu.

◆ SW Version

V: 02.05 B05

Uw Lukas laat ook het versienummer zien van de software (ook wel firmware genoemd) die erin is geladen.

Deze informatie is beschikbaar in het [SW Version] menu (druk op de OK toets om dit menu te kiezen).

In dit voorbeeld is de versie 0.2.05 B05.

Het is soms belangrijk voor technische support mensen van Streamit (of uw lokale dealer) om deze informatie te weten om u adequaat te kunnen in het geval u vragen hebt.

Druk op de OK toets om weer terug te gaan naar het [Service] menu.

◆ Update SW

De Lukas ondersteunt automatische software updates.

Het [Update SW] menu is bedoeld om handmatig een software update check te forceren. Nadat u op OK hebt gedrukt, checkt de Lukas automatisch of er een nieuwe software versie beschikbaar is. Als dit het geval is, wordt deze automatisch geladen. Op het LCD scherm kunt u de voortgang zien.



Haal NOOIT de netspanning van de Lukas af tijdens software updates, omdat dit kan resulteren in het niet meer werken van de Lukas.

◆ R-Selftest

S-Test: PASS

In het [R-Selftest] menu kunt u de resultaten van de laatste zelftest van de Lukas zien. Dit resultaat moet PASS zijn om goed te kunnen functioneren. Druk op de OK toets om het resultaat van de laatste zelftest te kunnen zien.

Druk op de OK toets om weer terug te gaan naar het [Service] menu.

◆ Zelftest

Met de zelftest functie kunt in korte tijd zien of uw Lukas een hardware probleem heeft. Druk op de OK toets om de zelftest te starten en wacht op het resultaat.

Druk op de OK toets om weer terug te gaan naar het [Service]

S-Test: PASS

menu.



Voor een juist resultaat van de zelftest is het belangrijk dat het apparaat eerst volledig is uitgeschakeld voordat de test wordt opgestart. Dit kunt u doen door de voedingsadapter los te halen en na 30 seconden weer aan te sluiten.

◆ Reset

Uw Lukas kan weer teruggezet worden naar de fabrieksinstellingen door de [Reset] optie te kiezen. Druk op de OK toets om het apparaat te resetten. U ziet dan de tekst "Resetting..." op het scherm. Vervolgens zal de Lukas weer opstarten in de wizard mode.

▲Uit Service

Kies de [Uit Service] optie om het [Service] menu weer te verlaten en terug te gaan naar het hoofdmenu.

5 De Lukas gebruiken

5.1 De eerste keer een verbinding opbouwen

Nadat de Lukas is ingesteld, kan de eerste verbinding met een geluidskanaal gemaakt worden. Als de Lukas nog niet aanstaat, kunt u dit doen door op de Aan/uit toets te drukken.

Na enige tijd verschijnt op het scherm de naam van het eerste geluidskanaal in de lijst.

Met de Vorig/volgend kanaal toetsen kunt u het gewenste kanaal kiezen. De verbinding met het kanaal wordt opgebouwd nadat u op de OK toets hebt gedrukt. Als u geen toets indrukt, wordt automatisch na enkele seconden de verbinding opgebouwd.

5.2 Het kiezen van een ander kanaal

Een ander gekozen kan gekozen worden door op de Vorig/volgend kanaal toetsen te drukken, net als met een ouderwetse radio.

After pressing the OK button, the connection with this channel is made. If no key is pressed, the connection is automatically made after some seconds.

De verbinding met het kanaal wordt opgebouwd nadat u op de OK toets hebt gedrukt. Als u geen toets indrukt, wordt automatisch na enkele seconden de verbinding opgebouwd.



Deze functie werkt alleen als er meer dan één kanaal aanwezig is.

5.3 Het uitzetten van het apparaat

De Lukas kan te allen tijde uitgezet worden door de Aan/uit toets te drukken.



De Lukas wordt automatisch uitgezet nadat een uitzending gestopt is.

5.4 Het aanpassen van het volumeniveau

U kunt het volume aanpassen door op de Volume harder/zachter toetsen te drukken. Het nieuw ingestelde volume wordt automatisch onthouden.



Het geluid kan tijdelijk uitgezet worden door op de Mute toets te drukken.

5.5 Het aansluiten van een hoofdtelefoon

Op de 'Audio out' connector van de Lukas kunt u een hoofdtelefoon aansluiten.

Voor de hoofdtelefoon is het belangrijk dat deze een impedantie heeft van meer dan 30 ohm. Het is ook wenselijk dat er een volumeregeling in de kabel naar de hoofdtelefoon zit, omdat de Volume harder/zachter toetsen niet gebruikt kunnen worden als de luidspreker uitgeschakeld is (dit is gewenst bij het gebruik van een hoofdtelefoon).

Een goede hoofdtelefoon voor gebruik met de Lukas is de Philips HP 250 stereo hoofdtelefoon met volumeregeling en 5 m snoer.